

PRO-EX

Ex LED lighting fittings for zone 1, 2, 21 & 22

EX
INDUSTRIES

Explosion protection:	II2G Ex e mb IIC T5÷T4 Gb II2D Ex mb IIIC T95°C÷T130°C Db
Ingress protection:	IP66
EC Type certificate:	CEC 14 ATEX 166
Ambient temp.:	-20°C ÷ +40°C (T5) -20°C ÷ +60°C (T4)
Body:	Light alloy with epoxy coating
Diffuser:	Tempered glass
Light source:	LED, 4.000 ÷ 5.500K, CRI 80
Lifetime:	50.000 hours
Power supply:	230Vac 50Hz ±10% 24Vdc ±10% (On request) 90÷305Vac 50/60Hz ±5% (PRO144 Only)
Cable entries:	Isometric M20x1.5
Mounting:	Swiveling bracking included 1½" pipe mounting facility included (PRO48 & PRO144 only)

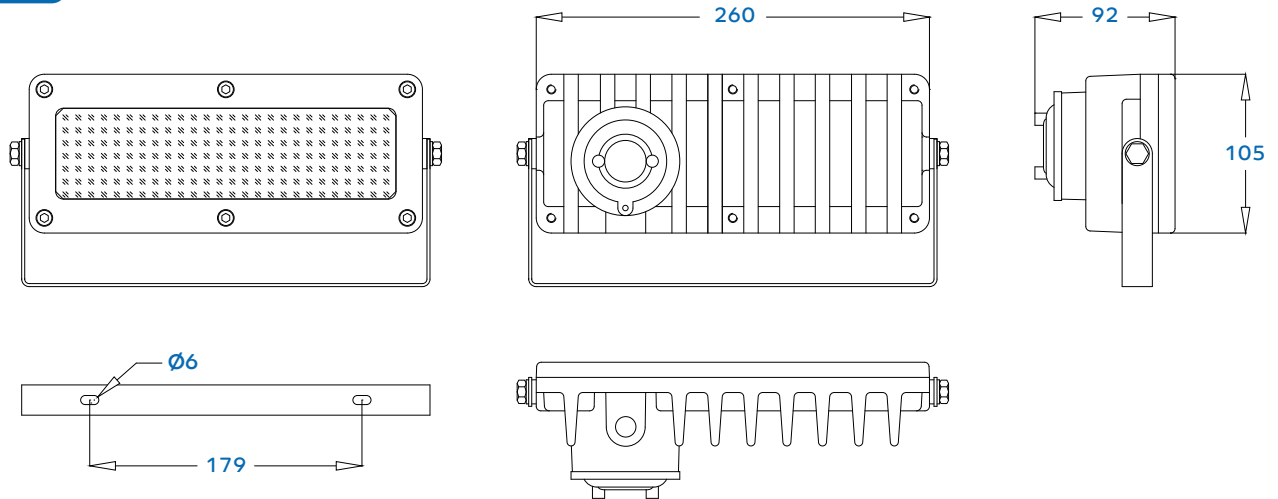


SELECTION CHART

Article code	Voltage supply	Power rating	Luminous Flux	CCT	Beam angle	Figure
PRO 12 EX 24DC L	24 Vdc	25 W	3.000lm	5.500 K	120°	A
PRO 12 EX 24DC L ..	24 Vdc	25 W	3.000lm	5.500 K	5 - 10 - 25 - 65°	A
PRO 12 EX 230AC L	230 Vac	25 W	3.000lm	5.500 K	120°	A
PRO 12 EX 230AC L ..	230 Vac	25 W	3.000lm	5.500 K	5 - 10 - 25 - 65°	A
PRO 48 EX 80 230AC L	230 Vac	80 W	8.000 lm	5.500 K	120°	B
PRO 48 EX 80 230AC L ..	230 Vac	80 W	8.000 lm	5.500 K	5 - 10 - 25 - 65°	B
PRO 48 EX 100 230AC L	230 Vac	100 W	10.000 lm	5.500 K	120°	B
PRO 48 EX 100 230AC L ..	230 Vac	100 W	10.000 lm	5.500 K	5 - 10 - 25 - 65°	B
PRO 48 EX 120 230AC L	230 Vac	120 W	12.000 lm	5.500 K	120°	B
PRO 48 EX 120 230AC L ..	230 Vac	120 W	12.000 lm	5.500 K	5 - 10 - 25 - 65°	B
PRO 48 EX 180 230AC L	230 Vac	180 W	18.000 lm	5.500 K	120°	B
PRO 48 EX 180 230AC L ..	230 Vac	180 W	18.000 lm	5.500 K	15 - 10 - 25 - 65°	B
PRO 48 EX 75 230AC	230 Vac	75 W	8.250 lm	4.000 K	120°	B
PRO 48 EX 100 230AC	230 Vac	100 W	11.000 lm	4.000 K	120°	B
PRO 48 EX 125 230AC	230 Vac	125 W	13.750 lm	4.000 K	120°	B
PRO 48 EX 150 230AC	230 Vac	150 W	16.500 lm	4.000 K	120°	B
PRO 48 EX 100 230AC M	230 Vac	100 W	14.000 lm	5.500 K	120°	B
PRO 48 EX 100 230AC M ..	230 Vac	100 W	14.000 lm	5.500 K	40 - 60 - 90°	B
PRO 48 EX 150 230AC M	230 Vac	150 W	21.000 lm	5.500 K	120°	B
PRO 48 EX 150 230AC M ..	230 Vac	150 W	21.000 lm	5.500 K	40 - 60 - 90°	B
PRO 48 EX 200 230AC M	230 Vac	200 W	28.000 lm	5.500 K	120°	B
PRO 48 EX 200 230AC M	230 Vac	200 W	28.000 lm	5.500 K	40 - 60 - 90°	B
PRO 48 EX 240 230AC M	230 Vac	240 W	34.000 lm	5.500 K	120°	B
PRO 48 EX 240 230AC M	230 Vac	240 W	34.000 lm	5.500 K	40 - 60 - 90°	B
PRO 144 EX 240 230AC L	90÷305 Vac	240 W	24.000 lm	5.500 K	120°	C
PRO 144 EX 240 230AC L ..	90÷305 Vac	240 W	24.000 lm	5.500 K	15 - 10 - 25 - 65°	C

DIMENSIONAL DRAWING

FIG A



DIMENSIONAL DRAWING

FIG B

