

# PRO-N

**Ex** LED lighting fittings for zone 2 & 22

**EX**  
INDUSTRIES

<b>Explosion protection:</b>	I13G Ex nR IIIC T5÷T4 Gc I13D Ex tc IIIC T95°C÷T130°C Dc
<b>Ingress protection:</b>	IP66
<b>EC Type certificate:</b>	CEC 15 ATEX 045
<b>Ambient temp.:</b>	-20°C ÷ +40°C (T5/T4) -20°C ÷ +60°C (T4)
<b>Body:</b>	Light alloy with epoxy coating
<b>Diffuser:</b>	Tempered glass
<b>Light source:</b>	LED, 4.000 ÷ 5.000K, CRI 80 Optional LED reflectors 5° ÷ 65°
<b>Lifetime:</b>	50.000 hours
<b>Power supply:</b>	230Vac 50Hz ±10% 24Vdc ±10% (On request) 90÷305Vac 50/60Hz ±5% (PRO144 Only)
<b>Cable entries:</b>	Isometric M20x1.5
<b>Mounting:</b>	Swiveling bracking included 1½" pipe mounting facility included (PRO48 & PRO144 only)

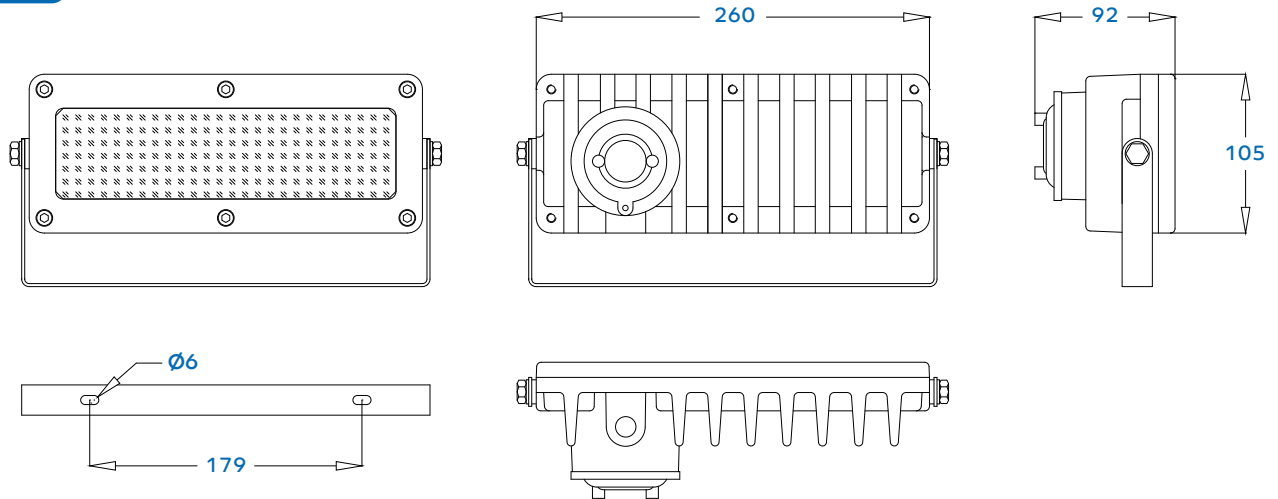


## SELECTION CHART

Article code	Voltage supply	Power rating	Luminous Flux	CCT	Beam angle	Figure
PRO 12 N 24DC L	24 Vdc	25 W	3.000lm	5.500 K	120°	A
PRO 12 N 24DC L ..	24 Vdc	25 W	3.000lm	5.500 K	5 - 10 - 25 - 65°	A
PRO 12 N 230AC L	230 Vac	25 W	3.000lm	5.500 K	120°	A
PRO 12 N 230AC L ..	230 Vac	25 W	3.000lm	5.500 K	5 - 10 - 25 - 65°	A
PRO 48 N 80 230AC L	230 Vac	80 W	8.000 lm	5.500 K	120°	B
PRO 48 N 80 230AC L ..	230 Vac	80 W	8.000 lm	5.500 K	5 - 10 - 25 - 65°	B
PRO 48 N 100 230AC L	230 Vac	100 W	10.000 lm	5.500 K	120°	B
PRO 48 N 100 230AC L ..	230 Vac	100 W	10.000 lm	5.500 K	5 - 10 - 25 - 65°	B
PRO 48 N 120 230AC L	230 Vac	120 W	12.000 lm	5.500 K	120°	B
PRO 48 N 120 230AC L ..	230 Vac	120 W	12.000 lm	5.500 K	5 - 10 - 25 - 65°	B
PRO 48 N 180 230AC L	230 Vac	180 W	18.000 lm	5.500 K	120°	B
PRO 48 N 180 230AC L ..	230 Vac	180 W	18.000 lm	5.500 K	15 - 10 - 25 - 65°	B
PRO 48 N 75 230AC	230 Vac	75 W	8.250 lm	4.000 K	120°	B
PRO 48 N 100 230AC	230 Vac	100 W	11.000 lm	4.000 K	120°	B
PRO 48 N 125 230AC	230 Vac	125 W	13.750 lm	4.000 K	120°	B
PRO 48 N 150 230AC	230 Vac	150 W	16.500 lm	4.000 K	120°	B
PRO 48 N 100 230AC M	230 Vac	100 W	14.000 lm	5.500 K	120°	B
PRO 48 N 100 230AC M ..	230 Vac	100 W	14.000 lm	5.500 K	40 - 60 - 90°	B
PRO 48 N 150 230AC M	230 Vac	150 W	21.000 lm	5.500 K	120°	B
PRO 48 N 150 230AC M ..	230 Vac	150 W	21.000 lm	5.500 K	40 - 60 - 90°	B
PRO 48 N 200 230AC M	230 Vac	200 W	28.000 lm	5.500 K	120°	B
PRO 48 N 200 230AC M ..	230 Vac	200 W	28.000 lm	5.500 K	40 - 60 - 90°	B
PRO 48 N 240 230AC M	230 Vac	240 W	34.000 lm	5.500 K	120°	B
PRO 48 N 240 230AC M ..	230 Vac	240 W	34.000 lm	5.500 K	40 - 60 - 90°	B
PRO 144 N 240 230AC L	90÷305 Vac	240 W	24.000 lm	5.500 K	120°	C
PRO 144 N 240 230AC L ..	90÷305 Vac	240 W	24.000 lm	5.500 K	15 - 10 - 25 - 65°	C

## DIMENSIONAL DRAWING

FIG A



## DIMENSIONAL DRAWING

FIG B

