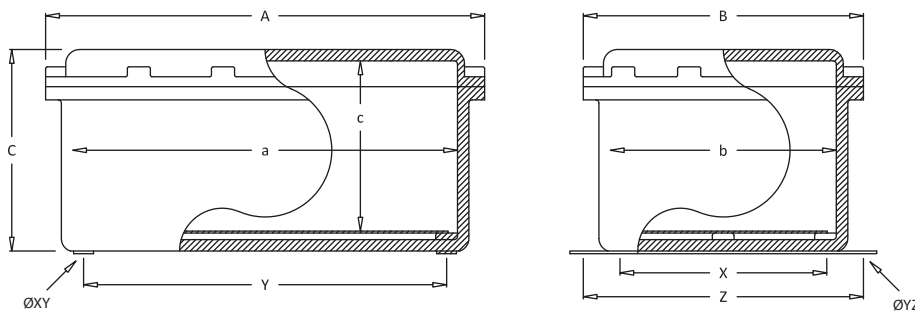


<b>Explosion protection:</b>	II2G Ex db IIB + Hydrogen T3÷T6 Gb II2(1/2)G Ex db [ia/ib] IIB + Hydrogen T3÷T6 Gb II2D Ex tb IIIC T95°C÷T195°C Db IP65/66/67
<b>Ingress protection:</b>	IP65/66/67
<b>EC Type certificate:</b>	AR 16 ATEX 071
<b>Ambient temp.:</b>	Standard ambient temp. -40°C ÷ +40°C Special ambient temp. -55°C ÷ +60°C / +80°C
<b>Body:</b>	Copper free alloy External RAL 7001 or 7035 epoxy coating Optional internal RAL 2004 anticondensate coating
<b>Windows:</b>	Tailormade tempered glass
<b>Accessories:</b>	Stainless steel bolts and hinges
<b>Cable entries:</b>	Isometric (ISO 261) NPT (ANSI B2.1)



## SELECTION CHART



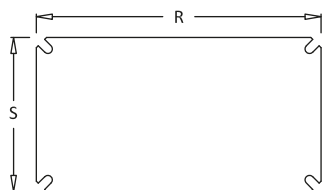
## DIMENSIONING

Enclosure	External Dimensions			Internal dimensions			Enclosure fixation			Mounting rail fixation		
	A	B	C	a	b	c	X	Y	ØXY	Y	Z	ØYZ
EJB 1	268	194	113	213	139	89	155	224	M5	-	-	-
EJB 1A	268	194	90	213	139	66	155	224	M5	-	-	-
EJB 2	255	185	160	200	130	130	130	200	M8	220	195	10
EJB 3	320	210	205	260	150	165	150	260	M8	250	220	10
EJB 4	370	260	210	310	200	165	195	305	M8	300	270	10
EJB 6	485	325	225	420	260	180	255	408	M10	370	340	13
EJB 8	520	390	275	450	320	220	300	435	M10	430	390	13
EJB 10	630	430	315	550	350	240	340	535	M10	460	420	13
EJB 10A	630	430	245	550	350	170	340	535	M10	460	420	13
EJB 11	725	540	352	623	438	294	420	732	M15	-	-	-
EJB 11A	725	540	272	623	438	214	420	732	M15	-	-	-
EJB 12	915	540	355	813	438	295	426	918	M15	-	-	-

## MAXIMAL INTERNAL DISSIPATION POWER

Enclosure	Ambient Temp. +40°C				Ambient Temp. +60°C				Ambient Temp. +80°C			
	T6	T5	T4	T4	T6	T5	T4	T4	T6	T5	T4	T4
EJB 1A	70	90	116	148	47	61	90	110	-	41	78	95
EJB 1	83	106	136	175	55	72	106	130	-	48	92	112
EJB 2	86	110	141	181	57	74	110	134	-	50	95	117
EJB 3	101	130	167	214	68	88	130	159	-	59	113	138
EJB 4	144	185	237	305	96	125	185	226	-	84	160	196
EJB 6	179	230	295	379	119	155	230	281	-	105	199	244
EJB 8	195	250	321	412	130	169	250	306	-	114	217	265
EJB 10A	234	300	385	494	156	203	300	367	-	137	260	318
EJB 10	265	340	436	560	177	230	340	416	-	155	295	360
EJB 11A	366	470	603	774	244	317	470	574	-	214	407	498
EJB 11	429	550	706	906	286	371	550	672	-	251	477	583
EJB 12	468	600	770	988	312	405	600	733	-	274	520	636

## MOUNTING FRAME



Enclosure	Dimensions	
	R	S
EJB 1	-	-
EJB 2	190	125
EJB 3	250	140
EJB 4	300	190
EJB 6	410	250
EJB 8	440	310
EJB 10	535	335
EJB 11	585	400
EJB 12	775	400

## OPERATORS



Pushbuttons for electrical contacts and mechanical devices



LED Indicators



Rotary devices for electrical switches and mechanical devices  
(Padlockable handle and key control available)



Emergency stop pushbutton  
Twist to release



Emergency stop pushbutton  
Automatic return



Emergency stop pushbutton  
Keyrelease